

SENTECH

CCD 攝影機

數位式攝影機&各式介面型號

Camera Link Cameras



Features

- Ultra-Compact Precision Metal Housing
- Accurate CCD Alignment
- Color (RGB Bayer Filter) and Monochrome
- High Frame Rate (Ideal for High Speed Image Capture)
- Trigger Modes (Reset & Non-Reset) Pulse Width and Edge Preset
- Multiple Trigger Channels (CL Cable or Hirose Connector)
- Low Heat System
- Remote Head and Power Over Camera Link Models
- NI LabVIEW Compatible

Camera Link Series

Reliable, Compact and Machine Vision Ready

The Sentech Camera Link® Camera Series is a full featured, cost effective, digital cube camera with sensors ranging from VGA to QSXGA. Its ultra-compact design allows the camera to fit into the tightest physical configurations. The series is available in color (RGB Primary Color Filter) or monochrome and features partial scanning with both pulse width or edge preset triggering.

Select Options

- CMOS Sensor
- Standard Cube
- Standard (PoCL)

Color	Mono	Sensor	Format	Resolution	FPS	Size
STC-CMC2MCL	STC-CMB2MCL	2/3"	2 MP	2048 x 1088	340	50 x 50 x 40.5 mm
STC-CMC4MCL	STC-CMB4MCL	1"	4 MP	2048 x 2048	180	50 x 50 x 42 mm



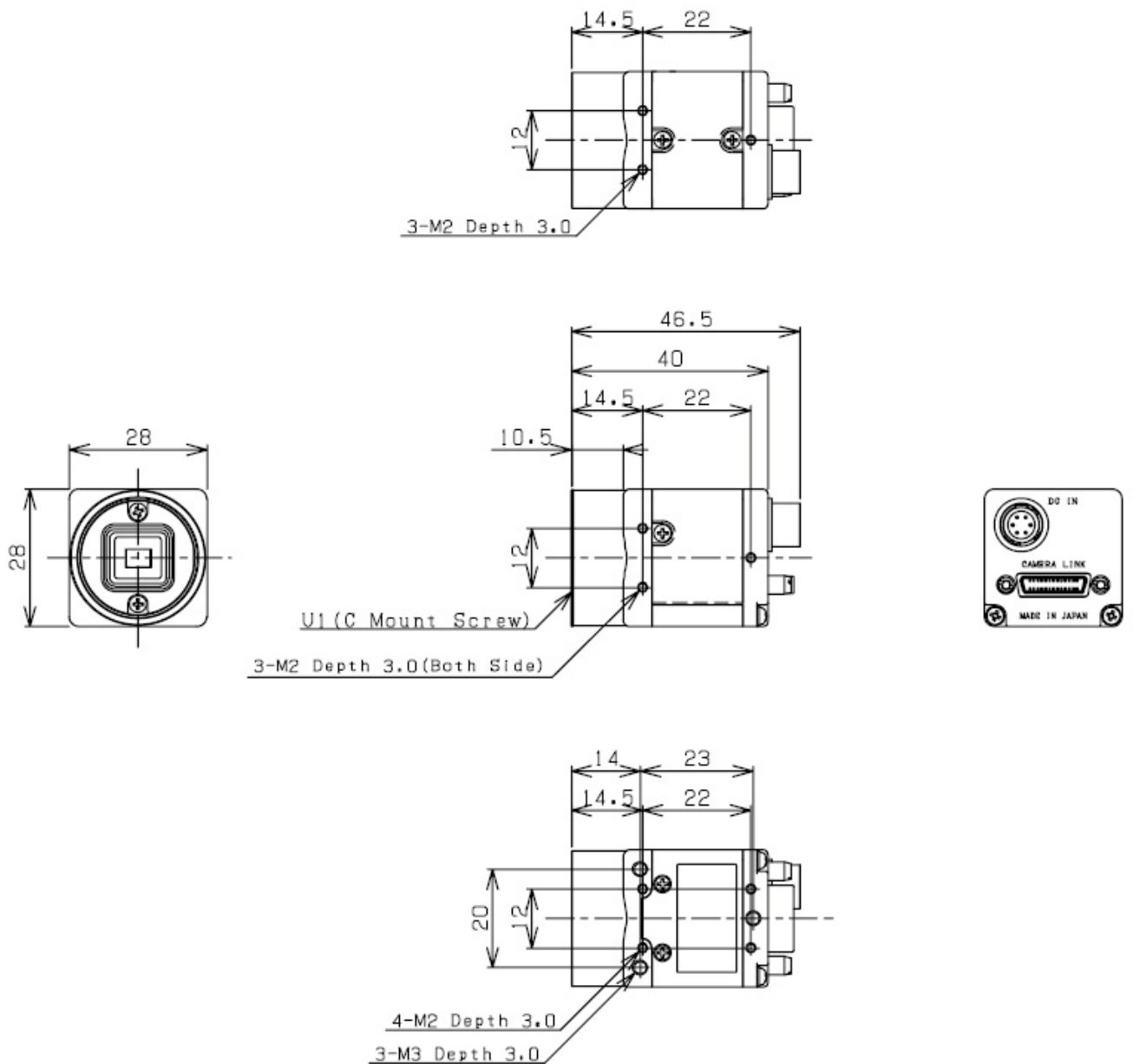
Camera Link (Standard) Models

Color	Mono	Sensor	Format	Resolution	FPS	Size
STC-CLC33A	STC-CL33A	1/3"	VGA	648 x 494	30, 60, 90	28 X 28 X 40 mm
STC-CLC83A	STC-CL83A	1/3"	XGA	1024 x 768	30	28 X 28 X 40 mm
STC-CLC83A-44	STC-CL83A-44	1/3"	XGA	1024 x 768	44	28 X 28 X 40 mm
STC-CLC152A	STC-CL152A	1/2"	SXGA	1360 x 1024	15, 19	28 X 28 X 40 mm
STC-CLC202A	STC-CL202A	1/1.8"	UXGA	1620 x 1220	16	28 X 28 X 40 mm
STC-CLC232A	STC-CL232A	1/1.8"	UXGA	1620 x 1236	30	28 X 28 X 47 mm
STC-CLC500A	STC-CL500A	2/3"	QSXGA	2448 x 2058	16	35 x 35 x 40.7 mm



Camera Link (PoCL) Models

Color	Mono	Sensor	Format	Resolution	FPS	Size
STC-POCLC33A	STC-POCL33A	1/3"	VGA	648 x 494	30, 60, 90	28 X 28 X 40 mm
STC-POCLC83A	STC-POCL83A	1/3"	XGA	1024 x 768	30	28 X 28 X 40 mm
STC-POCLC83A-44	STC-POCL83A-44	1/3"	XGA	1024 x 768	30	28 X 28 X 40 mm
STC-POCLC152A	STC-POCL152A	1/2"	SXGA	1360 x 1024	15, 19	28 X 28 X 40 mm
STC-POCLC202A	STC-POCL202A	1/1.8"	UXGA	1620 x 1220	16	28 X 28 X 40 mm
STC-POCLC232A	STC-POCL232A	1/1.8"	UXGA	1620 x 1236	30	28 X 28 X 47 mm
STC-POCLC500A	STC-POCL500A	2/3"	QSXGA	2448 x 2058	16	35 x 35 x 40.7 mm



Unit: mm

STC-CLC33A 尺寸資料

(因型號差異體積略有不同，型錄僅提供單一規格尺寸參考，如需詳細資料請洽詢相關業務)

GigE Vision® Cameras

Features



Precision Housing with Accurate CCD Alignment
VGA (0.3MP) ~ QSXGA (5MP) Resolutions
Color (RGB Bayer Filter) or Monochrome
DC Auto Iris Lens Driver
Gamma Table (Importing)
Area of Interest (AOI) - User Programmable
Low Light Extended Integration
Smear Reduction Functions

Xilinx Includes

User Programmable FPGA (Xilinx or Altera)
32MB User Memory
8 Opto-Isolated Configurable I/Os

GigE Vision® Series

Reliable, Compact and Machine Vision Ready

Sentech color and monochrome digital GigE camera series is available in two configurations: Standard Models and Power Plus Models (Xilinx based User FPGA). This series features VGA, XGA, SXGA, UXGA and QSXGA sensors, scan rates 15 ~ 90fps, and communication over a 12 pin Hirose or Ethernet connector.



GigE Vision (Standard)

Color	Mono	Sensor	Format	Resolution	FPS	Size
STC-GEC33A	STC-GE33A	1/3"	VGA	648 x 494	90	35 x 35 x 50.6 mm
STC-GEC83A	STC-GE83A	1/3"	XGA	1024 x 768	36	35 x 35 x 50.6 mm
STC-GEC133A	STC-GE133A	1/3"	SXVGA	1280 x 966	39	35 x 35 x 50.6 mm
STC-GEC152A	STC-GE152A	1/2"	SXGA	1360 x 1040	19	35 x 35 x 50.6 mm
STC-GEC202A	STC-GE202A	1/1.8"	UXGA	1624 x 1236	15	35 x 35 x 50.6 mm
STC-GEC500A	STC-GE500A	2/3"	QSXGA	2448 x 2058	15	35 x 35 x 50.6 mm



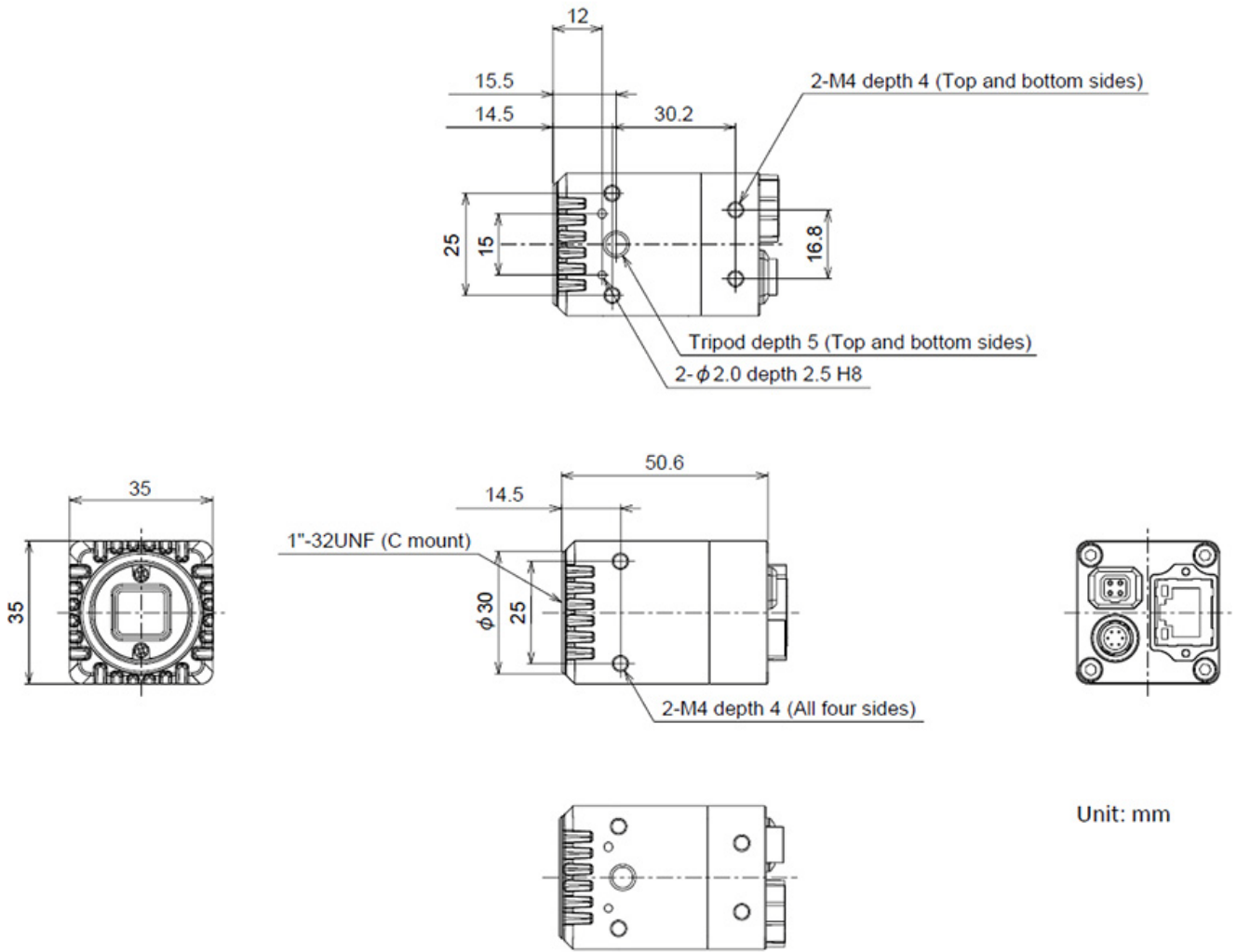
GigE Vision (Standard) Power Over Ethernet

Color	Mono	Sensor	Format	Resolution	FPS	Size
STC-POGEC33A	STC-POGE33A	1/3"	VGA	648 x 494	90	50 x 50 x 53.5 mm
STC-POGEC83A	STC-POGE83A	1/3"	XGA	1024 x 768	36	50 x 50 x 53.5 mm
STC-POGEC152A	STC-POGE152A	1/2"	SXGA	1360 x 1040	19	50 x 50 x 53.5 mm
STC-POGEC202A	STC-POGE202A	1/1.8"	UXGA	1624 x 1236	15	50 x 50 x 53.5 mm



GigE Vision ("Power Plus")

Color	Mono	Sensor	Format	Resolution	FPS	Size
STC-GEC33OX	STC-GE33OX	1/3"	VGA	648 x 494	90	50 x 50 x 53.4 mm
STC-GEC83OX	STC-GE83OX	1/3"	XGA	1024 x 768	36	50 x 50 x 53.4 mm
STC-GEC152OX	STC-GE152OX	1/2"	SXGA	1360 x 1040	19	50 x 50 x 53.4 mm
STC-GEC202OX	STC-GE202OX	1/1.8"	UXGA	1624 x 1236	15	50 x 50 x 53.4 mm



STC-GEC33A 尺寸資料

(因型號差異體積略有不同，型錄僅提供單一規格尺寸參考，如需詳細資料請洽詢相關業務)

High-Definition Cameras

Features



- SXGA Progressive Scan CCD Sensor (1280 x720)
- Good Sensitivity & Color Replication
- HD 720P at 60 or 50 FPS
- True 16:9 Aspect Ratio (No Scaling)
- DVI (Digital Visual Interface) Output via HDMI
- Dual Function Push Button (User Programmable)
- UART Serial Communication

HD Output Series

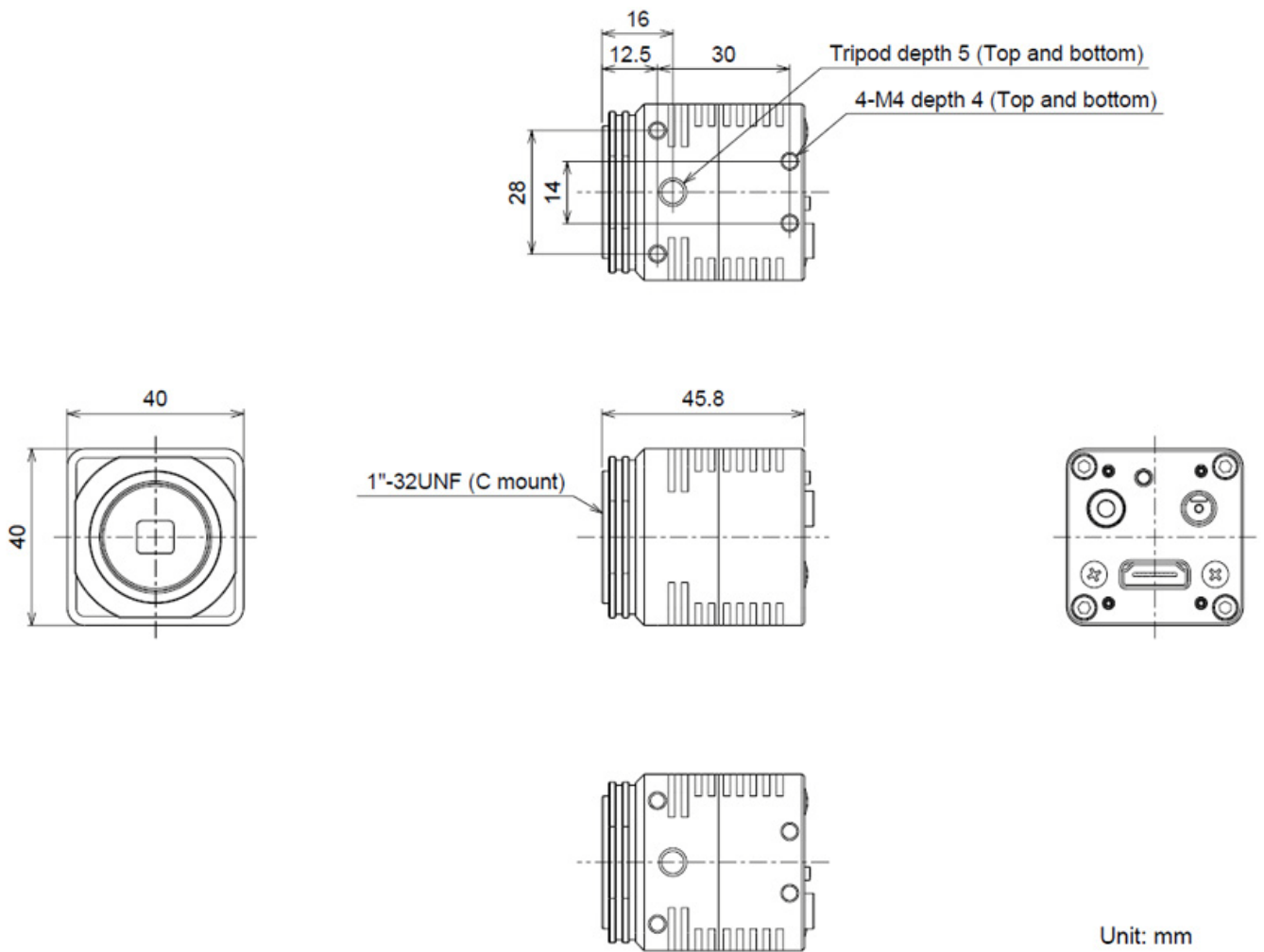
Ultra-Compact, Versatile OEM Solution

HD Digital Output cased and board-level cameras are ideal for applications requiring direct-connect monitor viewing with High Definition resolution. This CCD based camera outputs a true HD 720p, 16x9 image at 60fps. It also features the capability to program 28 individual DSP profiles and has a programmable on-camera push-button for manual control.



HD DVI Output (Cased) Models

Models	Type	Sensor	Frequency	Resolution	Signal Format	Size
STC-HD133DV	Cased	1/3"	50, 60Hz	1280 x 720	HD 720p; DVI 1.0; RGB	40 x 40 x 45.8 mm



STC-HD133DV 尺寸資料

(因型號差異體積略有不同，型錄僅提供單一規格尺寸參考，如需詳細資料請洽詢相關業務)

USB 2.0 Cameras



Features

- Color or Monochrome VGA ~ UXGA Resolution
- Low Light Extended Integration (w/ Complex Noise Reduction)
- Variable Partial Scan and Clock Speed Control
- Drawing / Annotation & Horizontal and Vertical Flip
- Standard USB or Lock Type Connectors
- DirectX, Twain, Linux, Halcon and NI LabVIEW Drivers

AH and ASH Models

- Precision Case w/ Heat Sink Design and LED Indicator
- Machine Vision Features
 - Triggering (Hardware or Software Base)
 - Integrated End Signal, Readout Signal Control
 - 4 Configurable I/Os

USB 2.0 Series

High Performance, Versatile

These are compact, progressive scan, USB camera with a color or monochrome CCD, featuring software and / or hard triggering , image capture, digital zoom and a feature-rich user based menu set up and control. This series is available with a top or rear USB connector. Sentech USB cameras include a SDK, Direct X, Twain and Linux drivers, as well as the Sentech Viewing Software.



USB 2.0 (Ultra-small) Cased

Color	Mono	Sensor	Format	Resolution	FPS	Size
STC-MC33USB	STC-MB33USB	1/3"	VGA	640 x 480	60	28 x 28 x 37 mm
STC-MC83USB	STC-MB83USB	1/3"	XGA	1024 x 768	30	28 x 28 x 37 mm
STC-MC133USB	STC-MB133USB	1/3"	SXVGA	1280 x 960	22	28 x 28 x 37 mm
STC-MC152USB	STC-MB152USB	1/2"	SXGA	1360 x 1024	20	28 x 28 x 42 mm
STC-MC202USB	STC-MB202USB	1/1.8"	UXGA	1620 x 1236	15	28 x 28 x 42 mm



USB 2.0 (Standard) Cased

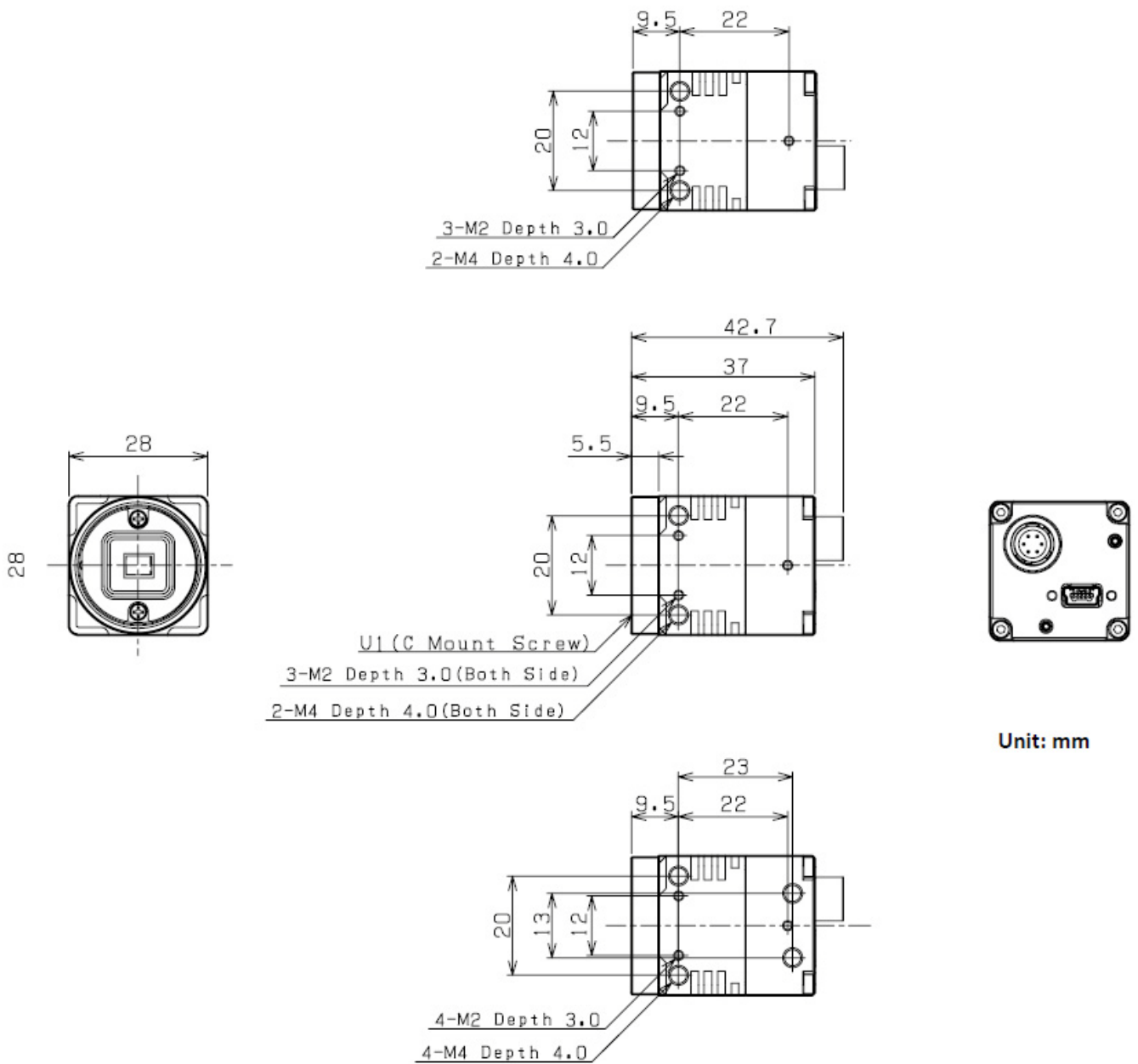
Color	Mono	Sensor	Format	Resolution	FPS	Size
STC-TC33USB-A	STC-TB33USB-A	1/3"	VGA	640 x 480	60	51 x 51 x Var. mm
STC-TC83USB-A	STC-TB83USB-A	1/3"	XGA	1024 x 768	30	51 x 51 x Var. mm
STC-TC133USB-A	STC-TB133USB-A	1/3"	SXVGA	1280 x 960	22	51 x 51 x Var. mm
STC-TC152USB-A	STC-TB152USB-A	1/2"	SXGA	1360 x 1024	20	51 x 51 x Var. mm
STC-TC202USB-A	STC-TB202USB-A	1/1.8"	UXGA	1620 x 1236	15	51 x 51 x Var. mm



USB 2.0 ("AH") Software and Hardware Triggering

(The USB signal is output over the USB connector)

Color	Mono	Sensor	Format	Resolution	FPS	Size
STC-TC33USB-AH	STC-TB33USB-AH	1/3"	VGA	640 x 480	60	50 x 50 x 35.8 mm
STC-TC83USB-AH	STC-TB83USB-AH	1/3"	XGA	1024 x 768	30	50 x 50 x 35.8 mm
STC-TC133USB-AH	STC-TB133USB-AH	1/3"	SXVGA	1280 x 960	22	50 x 50 x 35.8 mm
STC-TC152USB-AH	STC-TB152USB-AH	1/2"	SXGA	1360 x 1024	20	50 x 50 x 35.8 mm
STC-TC202USB-AH	STC-TB202USB-AH	1/1.8"	UXGA	1620 x 1236	15	50 x 50 x 35.8 mm



STC-MC33USB 尺寸資料

(因型號差異體積略有不同，型錄僅提供單一規格尺寸參考，如需詳細資料請洽詢相關業務